

**JIS 10K**

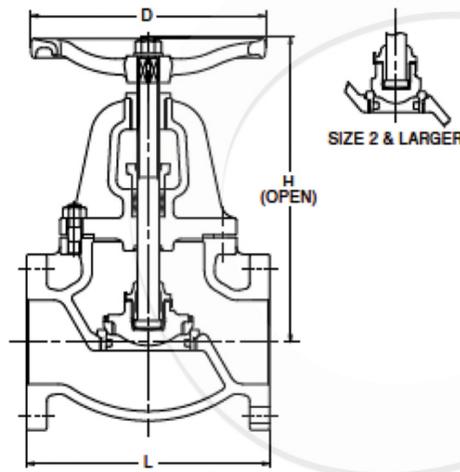
**IRON GLOBE VALVE**

Bolted bonnet, outside screw & yoke, rising stem.

Designed to JIS B2031

**Fig. 10FCJ**

• Bronze trim



**Materials**

Parts	Material	JIS Spec.		
		10FCJ	10FCJS	10FCJU
Body	Cast Iron	FC200		
Bonnet	Cast Iron	FC200		
Stem	Brass/Stainless Steel	C3771BD	SUS403	SUS304
Disc	1 1/4 & 2	Brass/Stainless Steel	CAC406	SUS403
	2 1/2 & larger	Cast Iron	FC200	
Disc seat ring	Brass/Stainless Steel	CAC406	SUS403	SUS304
Body seat ring	Bronze	CAC406	SUS403	SUS304
Gland	1 1/2 to 1 1/4	Ductile Iron	FCD-S	
Gland packing		Asbestos-free		
Gasket		Asbestos-free		
Gland bolt/nut		Carbon Steel		
Bonnet bolt/nut		Carbon Steel		
Yoke bushing	Bronze		CAC406	
Hand wheel	1 1/2 to 6	Cast Iron	FC250	
	8 only	Ductile Iron	FCD400	
	10 only	Cast Iron	FC200	

For JIS Valves Pressure-Temperature Ratings MPa, refer to page 2.

**Dimensions**

Valve Size	B A	mm							
		1 1/2	2	2 1/2	3	4	5	6	8
L Face-to-face		190	200	220	240	290	360	410	500
H Height (OPEN)		260	277	307	353	404	454	533	642
D Handwheel Diameter		160	180	180	225	280	300	350	450